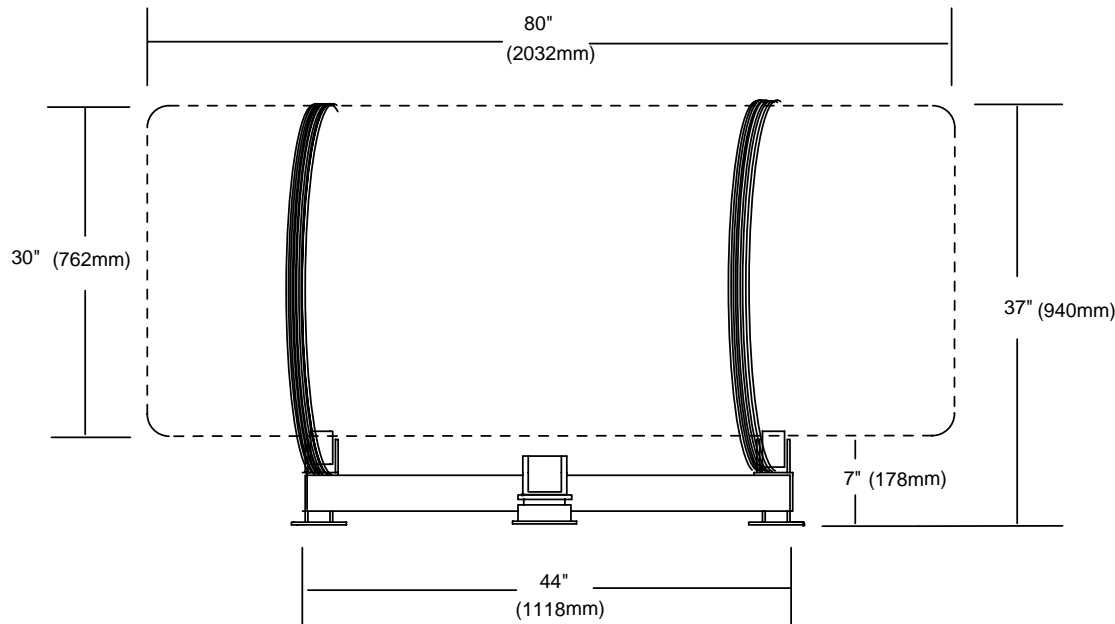
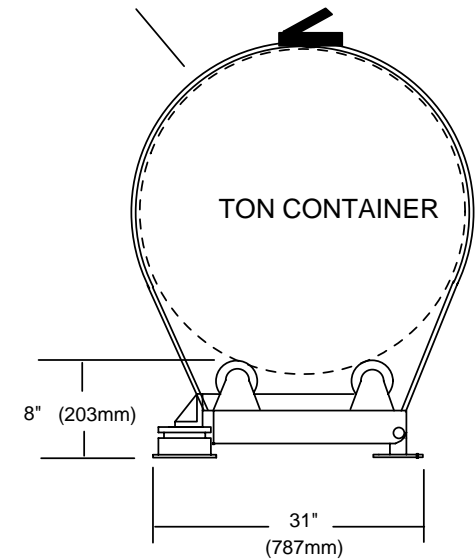


- _____ INCH DIAMETER DIAL
- _____ FEET OF HOSE or TUBING
- _____ POUND or KILO DIAL
- _____ MODEL NUMBER



2" X 8" POLYESTER STRAP
WITH 5000 LB. RATCHET BUCKLE



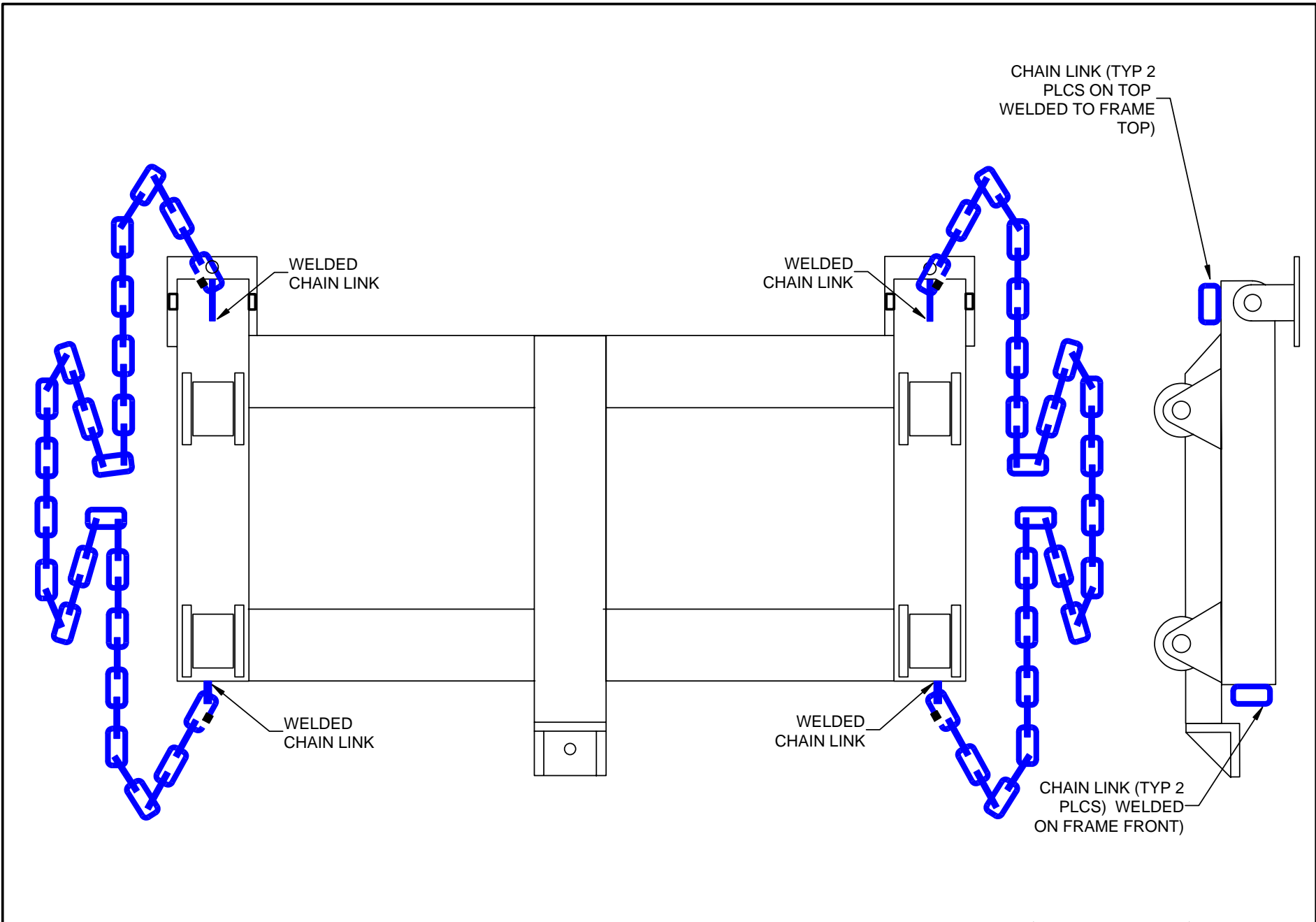
1150-D Burnett Ave, Concord, CA 94520 USA
1-800-893-6723 US & Canada, Fax: 925-686-6713
www.forceflow.com / info@forceflow.com

File: T4O&MACCES HYDISLINGS TON.tcw
EMAIL/DRAWINGS/TON/SLINGS TON.PDF

**POLYESTER SLINGS
MODEL PS-4000**

Drawn by: SLJ
Date: 01/01/89
Revised: 03/03/97
Scale: NONE

Drawing Number
25124
Slings



1150-D Burnett Ave, Concord, CA 94520 USA
 1-800-893-6723 US & Canada, Fax: 925-686-6713
 www.forceflow.com / info@forceflow.com

File: T4/O&M/TON HYD/TON WITH HOLD DOWN LINKS.tcw
 EMAIL/DRAWINGS/TON/TON WITH HOLD DOWN LINKS.pdf

**TON HOLD DOWN
 CHAIN LINKS**

CHECKED BY _____

Drawn by: SLJJG
 Date: 02/11/00
 Revised: 02/09/06 JG
 Scale: NONE

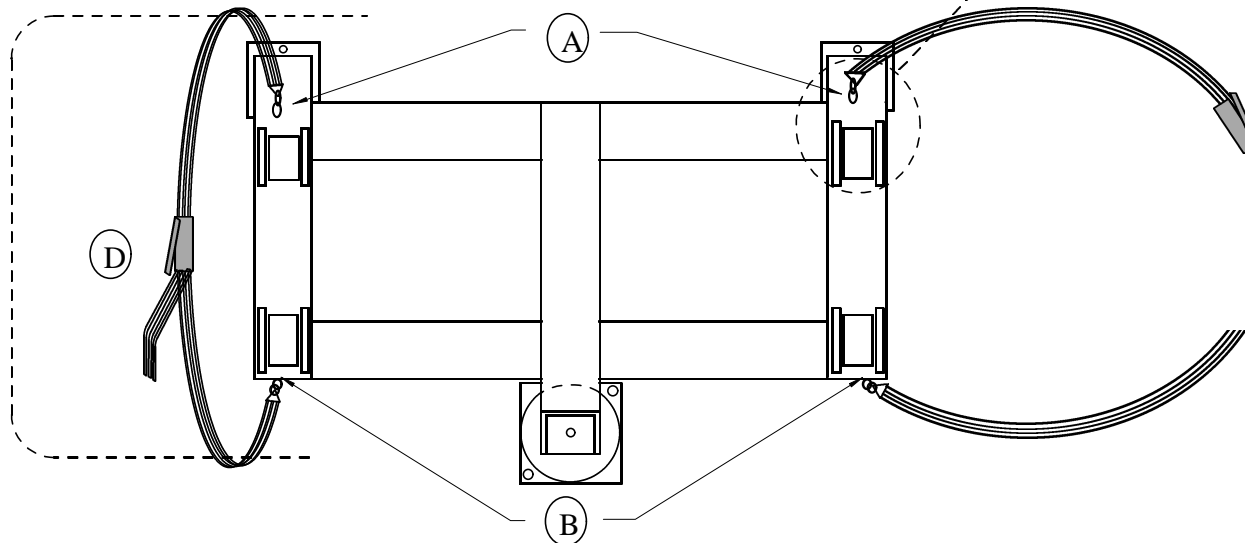
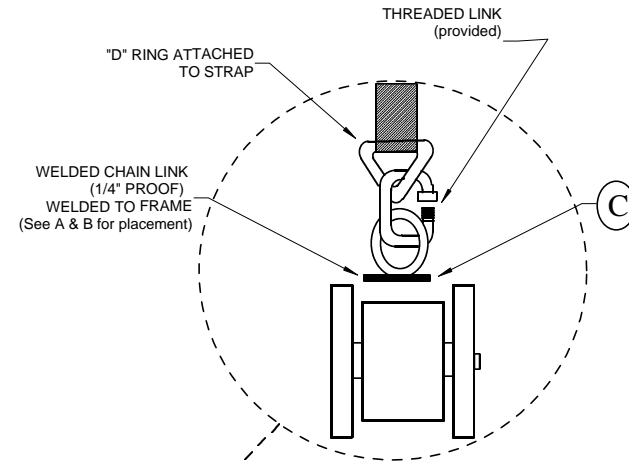
Drawing Number
31084A

Two (2) Sets of Polyester Hold Down Straps required for each ton container.
 Each set consists of two 8' lengths of 2" polyester webbing (1,600 lbs. working, 5,000 lbs. tensile strength).

One (1) Ratcheting Tension Device per Set of Polyester Hold Down Straps.

Roller Trunnion set is factory welded on scale frame 13" apart.

- A. Weld a single welded chain link (1/4" Proof) to TOP of frame just behind roller.
- B. Weld a single welded chain link (1/4" Proof) to END of Frame below roller.
- C. Use threaded link to attach the strap's D-Rings to welded links.
- D. Whip straps over end of tank. Thread lead thru load binder and start taking up slack.



CAUTION !
 Be careful that Strap
 does not touch Roller
 at any time.



1150-D Burnett Ave, Concord, CA 94520 USA
 1-800-893-6723 US & Canada, Fax: 925-686-6713
 www.forceflow.com / info@forceflow.com

File: T4\O&M\ACCESSORY\SLINGS.tcw

**HOLD DOWN STRAPS
 FIELD INSTALLATION**

Drawn by: SLJ
 Date: 02/27/90
 Revised: 02/28/27
 Scale: NONE

Drawing Number
30025