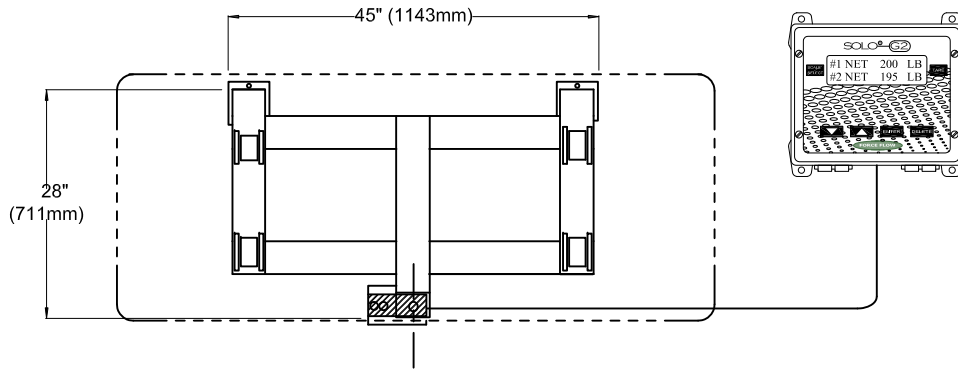


MODEL NUMBERS (for Frame & Load Cell)
 DR40 (4000 lbs)
 DR20K (2000 kgs)

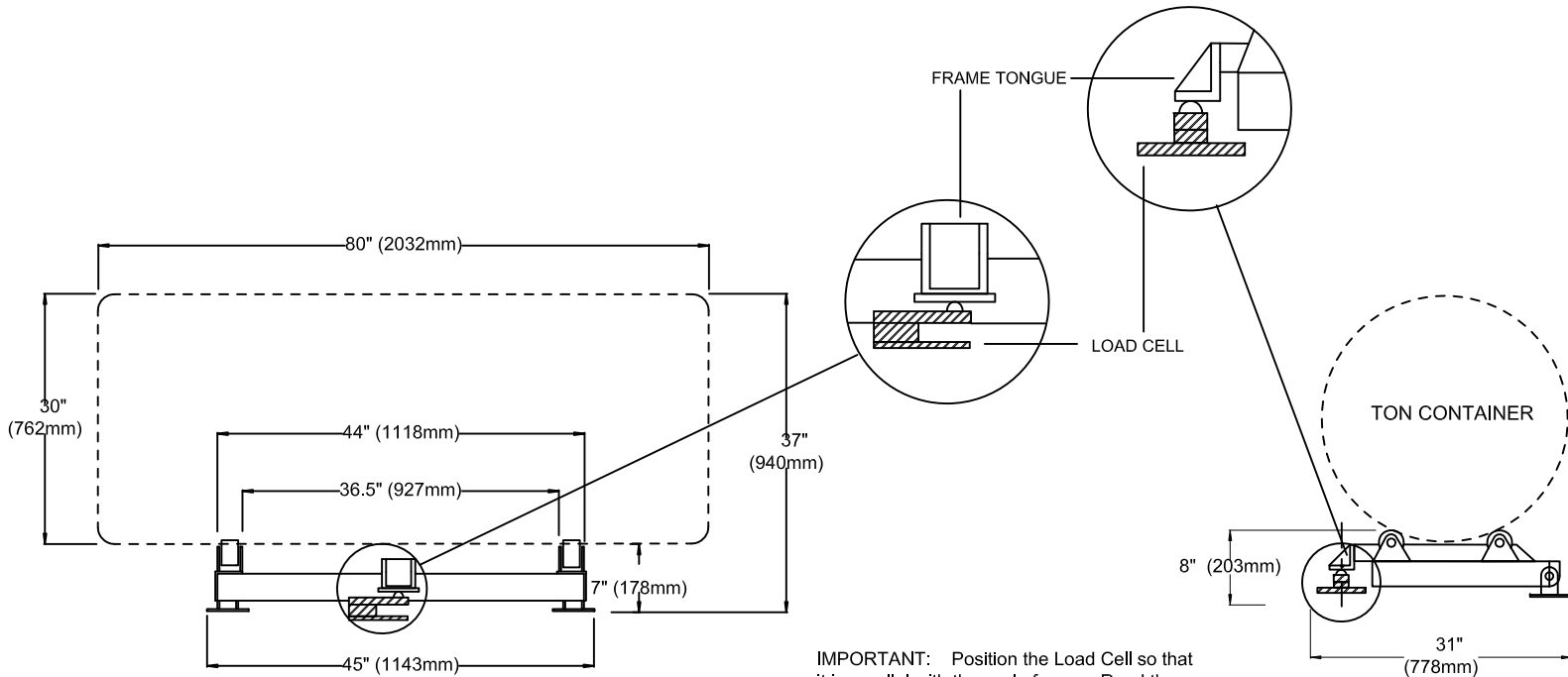
MODEL NUMBER (for SOLO G2 Indicator)
 SRG2-1 1-Channel
 SRG2-2 2-Channel



_____ Model Number of Indicator (Lbs or Kgs _____)

_____ Model Number of Scale Frame

_____ Feet of Cable per Scale (20' Std)



IMPORTANT: Position the Load Cell so that it is parallel with the scale frame. Read the "Installation" section carefully for proper placement of the frame.



2430 Stanwell Dr, Concord, Ca 94520 USA
 1-800-893-6723 US & Canada, Fax: 925-686-6713
 WWW.forceflow.com / Info@forceflow.com

ELECTRONIC SINGLE TANK SCALE
CHLOR-SCALE
 with SOLO G2 INDICATOR
 (4000 lb. or 2000 kg. Capacity)

Drawn by: KBV

Date: 3/03/09

Verified:

Scale:

Drawing Number

31445