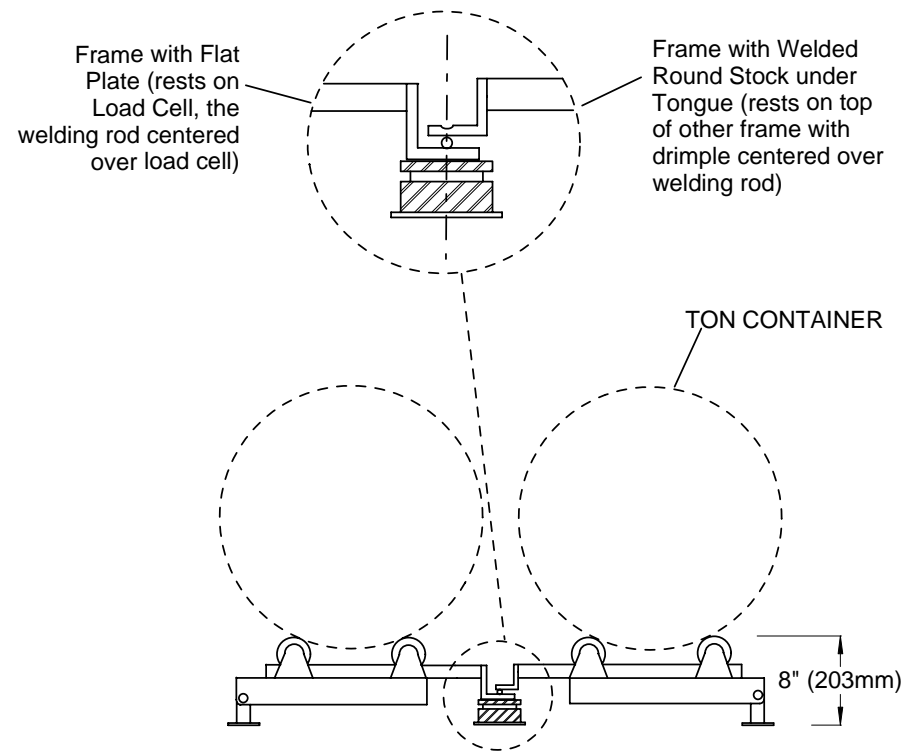


MODEL NUMBERS (for Complete Scale)	
Model No:	Metric Models:
6D80 (8000 lb)	6D40K (4000 kg)
8D80 (8000 lb)	8D40K (4000 kg)
12D80 (8000 lb)	12D40K (4000 kg)
18D80 (8000 lb)	18D40K (4000 kg)

Complete with Century Dial Indicator

_____ MODEL NUMBER
 _____ INCH DIAMETER DIAL (LBS or KGS _____)
 _____ FEET OF HYDRAULIC TUBING



C.1.121



1150-D Burnett Ave, Concord, CA 94520 USA
 1-800-893-6723 US & Canada, Fax: 925-686-6713
 www.forceflow.com / info@forceflow.com

File: T4\O&M\TONHYD\BLO&MIN.tcw (P08.pdf) (WEB: TON2HYD.pdf)

HYDRAULIC DUAL TANK SCALE
CHLOR-SCALE with CENTURY DIAL
(8000 Lb. or 4000 Kg. Capacity)

Drawn by: SLP
 Date: 01/15/89
 Revised: 10/16/93
 Scale: NONE

Drawing Number
29633